

Lead2Passed



Lead2Passed

HOME

ALL VENDORS

★ GUARANTEE

? FAQ

TESTIMONIALS

Login / Register My Shopcart (1)

Input your exam code ...



Try before you buy

Download a free sample of any of our exam questions and answers

- ✓ Online Test Engine: Online Tool, Convenient, easy to study. Instant Online Access. Supports All Web Browsers.
- ✓ PDF format: Easy to read and print learning materials, our products are available in PDF file format.
- ✓ Desktop Test Engine: Installable Software Application. Simulates Real Exam Environment. Practice Offline Anytime.



Security & Privacy

We respect customer privacy. We use McAfee's security service to provide you with utmost security for your personal information & peace of mind.



365 Days Free Updates

Free update is available within 365 days after your purchase. After 365 days, you will get 50% discounts for updating.



Money Back Guarantee

Full refund if you fail the corresponding exam in 60 days after purchasing. And Free get any another product.



Instant Download

After Payment, our system will send you the products you purchase in mailbox in a minute after payment. If not received within 2 hours, please contact us.

<http://www.lead2passed.com>

Valid Certification Exam Dumps Materials and Study Guide -
Lead2Passed

Exam : **HP2-Z30**

Title : Fast Track - Applying HP
FlexNetwork Fundamentals

Vendor : HP

Version : DEMO

NO.1 Which statement is true about using the RADIUS protocol for AAA functions'?

- A. Only passwords are encrypted in the RADIUS payload.
- B. Digital certificates are used to authenticate the networking devices and AAA server.
- C. AAA accounting records can be saved using RADIUS or syslog.
- D. RADIUS uses TCP as a transport.

Answer: A

NO.2 Which management protocol is enabled, by default, on HP Provision switches?

- A. Syslog
- B. SSH
- C. SNMP
- D. NTP

Answer: B

NO.3 Which component of an HP Comware switch controls logging on to a syslog server?

- A. Log Parser
- B. Event Analyzer
- C. Information Center
- D. Event Log

Answer: C

NO.4 Which statement is true about the management of HP ProVision and Comware switches?

- A. Telnet SSH are enabled by default on Comware switches.
- B. Telnet is enabled but SSH is disabled on ProVision switches.
- C. Comware switches, by default, store usernames and passwords in a separate configuration file.
- D. ProVision switches, by default, store usernames and passwords in a separate configuration file.

Answer: D

NO.5 Which task should a network administrator include in the creation of an upgrade policy?

- A. Update network management software before deploying upgrades to network switches.
- B. Make a copy of the original operating system.
- C. Test the upgrade on a core switch.
- D. Read the release notes of the original operating system.

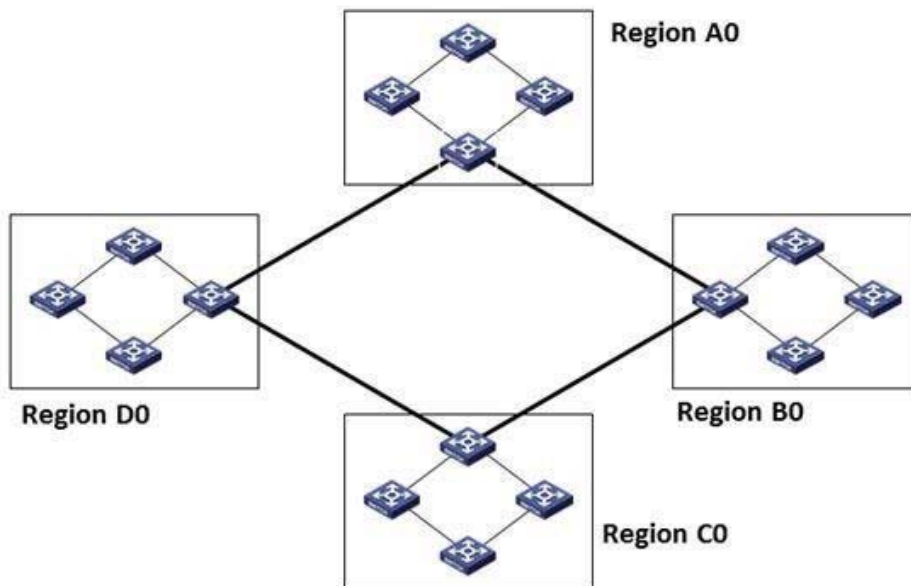
Answer: B

NO.6 Which action can be performed from an HP Comware switch?

- A. Execute the super command to change privilege levels.
- B. Execute the startup-default command to define the configuration file to load upon bootup.
- C. Execute the show flash command to examine the operating systems stored in flash.
- D. Execute the boot set-default flash command to define the default operating system to load.

Answer: A

NO.7 Refer to the network exhibit.



The network shown in the exhibit is comprised of four MSTP regions that are interconnected. Based on this topology, which statement is true?

- A. PVST should be used instead of MSTP.
- B. A routing solution must be used between MSTP regions when more than one region exists.
- C. An optimized topology can be created using MSTP between the regions.
- D. The switches are running the equivalent of RSTP between the regions.

Answer: D

NO.8 Which HP Provision switch command controls the logging level of messages sent to a syslog server?

- A. info-center level
- B. logging severity
- C. logging-host trap-level
- D. syslog severity

Answer: B

Explanation:

if your syslog server is at 10.0.0.5 then you would do this:

```
switch#configure terminal switch(config)#logging 10.0.0.5
```

Change the severity also depending on your needs

```
switch(config)#logging severity <major/error/warning/info/debug>
```

NO.9 A device is connected to an HP Comware hybrid port. Which type of information from the attached device can be used to assign it to a VLAN?

- A. access control list
- B. IPX host address
- C. LLDP device type
- D. protocol

Answer: D

NO.10 Which HP switch supports nine switches in an IRF topology?

- A. 5120-SI
- B. 5820
- C. 7500
- D. 12500

Answer: B