

Lead2Passed



Lead2Passed

HOME

ALL VENDORS

★ GUARANTEE

? FAQ

TESTIMONIALS

Login / Register My Shopcart (1)

Input your exam code ...



Try before you buy

Download a free sample of any of our exam questions and answers

- ✓ Online Test Engine: Online Tool, Convenient, easy to study. Instant Online Access. Supports All Web Browsers.
- ✓ PDF format: Easy to read and print learning materials, our products are available in PDF file format.
- ✓ Desktop Test Engine: Installable Software Application. Simulates Real Exam Environment. Practice Offline Anytime.



Security & Privacy

We respect customer privacy. We use McAfee's security service to provide you with utmost security for your personal information & peace of mind.



365 Days Free Updates

Free update is available within 365 days after your purchase. After 365 days, you will get 50% discounts for updating.



Money Back Guarantee

Full refund if you fail the corresponding exam in 60 days after purchasing. And Free get any another product.



Instant Download

After Payment, our system will send you the products you purchase in mailbox in a minute after payment. If not received within 2 hours, please contact us.

<http://www.lead2passed.com>

Valid Certification Exam Dumps Materials and Study Guide -
Lead2Passed

Exam : HP0-045

Title : Supporting the ESL E-Series
Lobraries

Vendors : HP

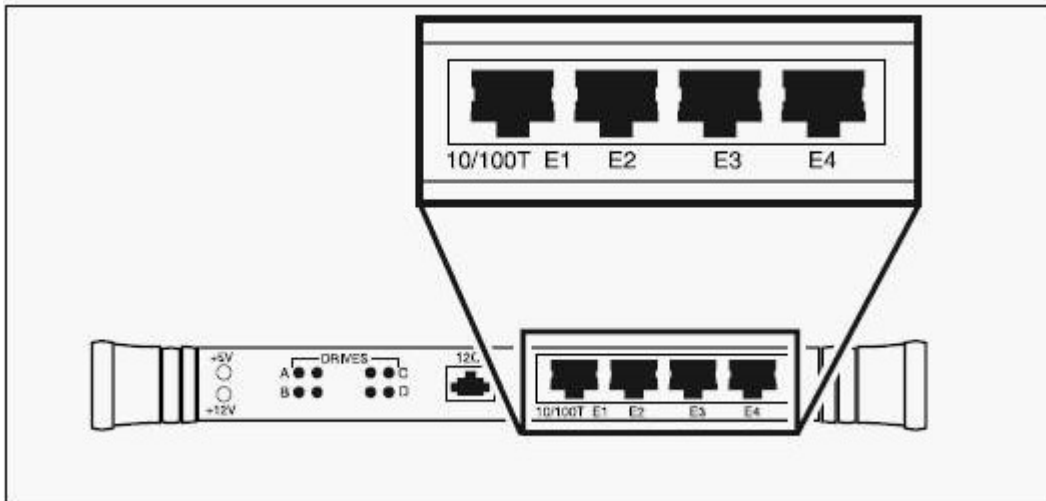
Version : DEMO

1. What is required to access the Advanced Secure Manager features in Command View ESL?

- A. the appropriate license key
- B. valid user access permissions
- C. a special administrator password
- D. a suitable advanced user account

Correct: A

2. Click the Exhibit button. Which component is connected to port E1 of the cluster controller if it is in drive cluster 0?



- A. cabinet controller
- B. interface controller
- C. lower cluster controller
- D. Interface Manager card

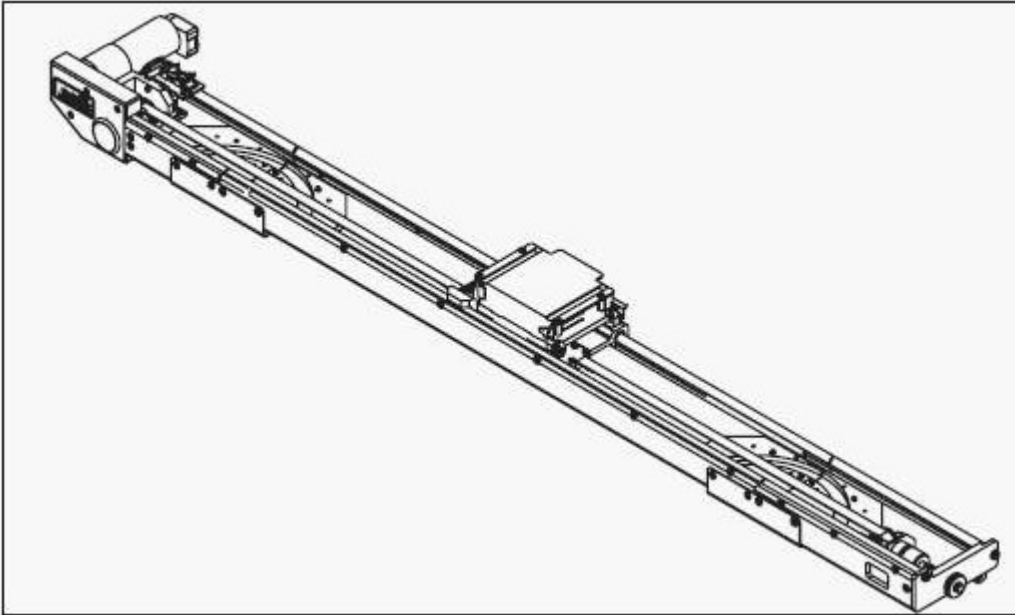
Correct: A

3. What does the OCP display when a library hangs because there are more than one hundred unlabeled tape cartridges in the library?

- A. Error 22
- B. Please wait
- C. Going on line
- D. Inventory failure

Correct: C

4. Click the Exhibit button. Which tape library component (used to carry data cartridges to a secondary cabinet) is shown on the figure?



- A. CLM arm
- B. CLM controller
- C. picker assembly
- D. cartridge transfer robot

Correct:A

5. Which scheme is used in the command line interface for drive and slot numbers in ESL E-Series tape libraries?

- A. 0 based
- B. 1 based
- C. 2 based
- D. Hex based

Correct:B

6. Which port number is required when starting a Command View TL session?

- A. 2301
- B. 4095
- C. 4444
- D. 5555

Correct:B

7. You are performing a firmware upgrade using Command View TL and a Telnet session terminates it prematurely. What is the most likely outcome?

- A. The Telnet session is automatically aborted.
- B. Telnet automatically aborts the other session, but the upgrade continues.
- C. Command View TL takes precedence and continues the firmware upgrade.
- D. The firmware upgrade aborts and the device being upgraded may need physical repair.

Correct:D

8. What does the cabinet controller assembly of an ESL E-Series tape library provide a SCSI interface to?

- A. tape devices

- B.library robotics
- C.management interface card
- D.e2400-160 Interface Controller

Correct:B

9.Which capabilities of a TCP/IP connection are delivered by the Simple Internet Protocol Plus (SIPP)?

- A.small packets and ECC
- B.error handling and retries
- C.increased bandwidth and performance
- D.faster command propagation on inexpensive copper interconnect

Correct:B

10.For which connection, other than the cabinet controller, is the I2C network cable used?

- A.external LANs
- B.cluster controllers
- C.interface management cards
- D.Fibre Channel interface controllers

Correct:B